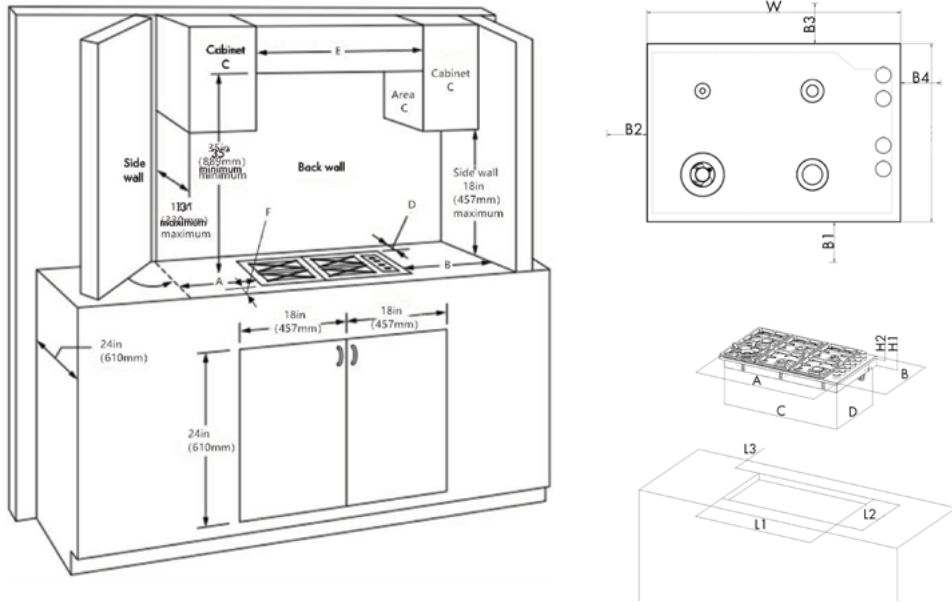


# INSTALLATION

## INSTALLATION ADJACENT TO KITCHEN CABINETS

For the best look, the worktop should be level with the cabinet countertop.



Clearances	A	B	D	E	F
30"	6" min	6" min	3 1/2" min	30"	3 1/2" min
36"	6 min"	6" min	3 1/2" min	36"	3 1/2" min

Product size	A	B	C	D	H1	H2
30"	30"	21"	28 3/8"	18 7/8"	2 13/16"	5/8"
36"	36"	21"	34 3/8"	18 7/8"	2 13/16"	5/8"

	L1			L2			L3
Cut out size	Suggestion	Min	Max	Suggestion	Min	Max	Min
30"	29"	28 9/16"	29 3/8"	19 1/2"	19 1/8"	20 3/8"	2 1/2"
36"	35"	34 9/16"	35 3/8"	19 1/2"	19 1/8"	20 3/8"	2 1/2"

# INSTALLATION

## ATTACHING THE DROPIN

To prevent liquids from accidentally leaking into the underlying storage space, the appliance is equipped with a special gasket. To apply this gasket, carefully follow the instructions in Fig. 1.

1. Lay out the protective sealing strips along the edges of the opening in the bench top and carefully overlap the strip end. (See Fig. 1).
2. Insert the dropin into the bench top opening. With a screwdriver assemble the brackets (A) to the hotplate bottom by means of the screws (B) (See Fig. 2).
3. Slide the hooks into position and secure them with the screws.
4. Trim the part of the sealing strips that extend beyond the dropin base.

