

IMPORTANT SAFETY INSTRUCTIONS

- Installation of any gas-fired equipment should be made by a licensed plumber. A manual gas shut-off valve must be installed in the gas supply line ahead of the oven in the gas flow for safety and ease of service.
- Please ensure that the altitude of your home is conducive for the use of gas cooking products. If the product is installed at higher altitudes above sea level, you may experience issues with gas pressure that will affect product performance. Please consult your local gas company for recommendations before purchasing or installing
- Please read and follow these important instructions for the safety of your home and the people living in it.



WARNING

If the information in this manual is not followed exactly, a fire or explosion may result causing property damage, personal injury, or death.

- Do not store or use gasoline or any other flammable substances in the vicinity of this or any other appliance.
- NEVER use this appliance as space heater to heat or warm the room. Doing so may result in carbon monoxide poisoning and overheating of the oven.
- NEVER cover any slots, holes, or passages in the oven bottom or cover an entire rack with materials such as aluminum foil. Doing so blocks air flow through the oven and may cause carbon monoxide poisoning. Aluminum foil linings may also trap heat, causing a fire hazard.



WARNING

Never use this appliance as a space heater to heat or warm the room. Doing so may result in carbon monoxide poisoning and overheating of the oven.

WHAT TO DO IF YOU SMELL GAS

- DO NOT light any appliance.
- DO NOT touch any electrical switch.
- DO NOT use any phone in your building.
- DO NOT use any aerosol cans or combustibles.
- Immediately call your gas supplier from a neighbor's phone, follow the gas supplier's instructions.
- In the case you cannot reach the gas supplier, call the fire department.
- Installation and service must be conducted by a qualified installer, service agency, or the gas supplier.

WARRANTY AND SERVICE

Please keep this manual for future use.

The rating tag shows the model and serial number of your range. The tag is located on the underside of the product. Do not remove permanently affixed labels, warnings, or plates from the product. This will void the warranty.

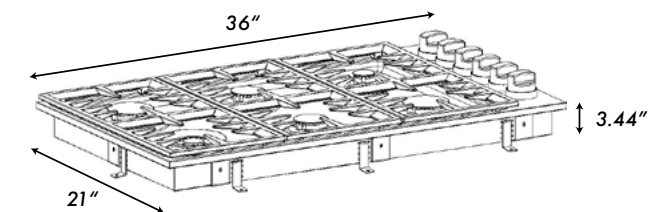
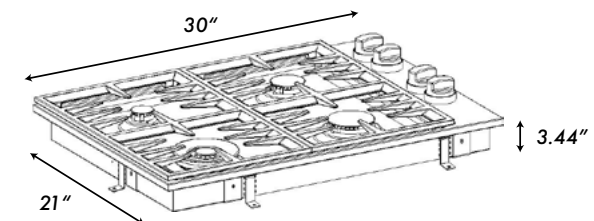
WARRANTY AND SERVICE

All range products carry a one year parts warranty and includes service, if required. Service on all products shall be carried out by industry professionals only. For warranty service, please call customer service.

REPLACEMENT PARTS

Only authorized replacement parts may be used in performing service on this appliance.

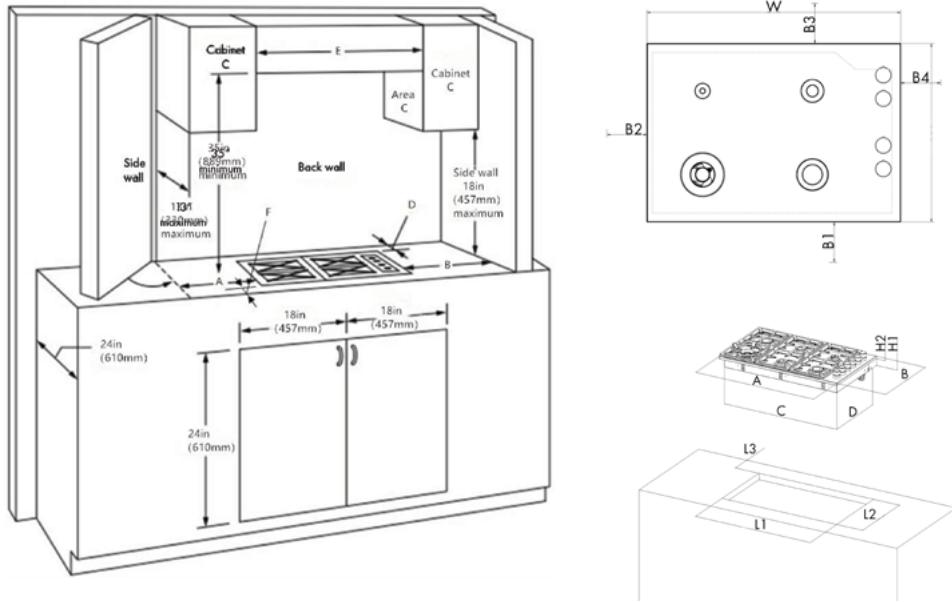
Replacement parts are available from ZLINE. Call 1-614-777-5004.



INSTALLATION

INSTALLATION ADJACENT TO KITCHEN CABINETS

For the best look, the worktop should be level with the cabinet countertop.



| Clearances | A | B | D | E | F |
|------------|--------|--------|------------|-----|------------|
| 30" | 6" min | 6" min | 3 1/2" min | 30" | 3 1/2" min |
| 36" | 6 min" | 6" min | 3 1/2" min | 36" | 3 1/2" min |

| Product size | A | B | C | D | H1 | H2 |
|--------------|-----|-----|---------|---------|----------|------|
| 30" | 30" | 21" | 28 3/8" | 18 7/8" | 2 13/16" | 5/8" |
| 36" | 36" | 21" | 34 3/8" | 18 7/8" | 2 13/16" | 5/8" |

| | L1 | | | L2 | | | L3 |
|--------------|------------|----------|---------|------------|---------|---------|--------|
| Cut out size | Suggestion | Min | Max | Suggestion | Min | Max | Min |
| 30" | 29" | 28 9/16" | 29 3/8" | 19 1/2" | 19 1/8" | 20 3/8" | 2 1/2" |
| 36" | 35" | 34 9/16" | 35 3/8" | 19 1/2" | 19 1/8" | 20 3/8" | 2 1/2" |

INSTALLATION

ATTACHING THE DROPIN

To prevent liquids from accidentally leaking into the underlying storage space, the appliance is equipped with a special gasket. To apply this gasket, carefully follow the instructions in Fig. 1.

1. Lay out the protective sealing strips along the edges of the opening in the bench top and carefully overlap the strip end. (See Fig. 1).
2. Insert the dropin into the bench top opening. With a screwdriver assemble the brackets (A) to the hotplate bottom by means of the screws (B) (See Fig. 2).
3. Slide the hooks into position and secure them with the screws.
4. Trim the part of the sealing strips that extend beyond the dropin base.

